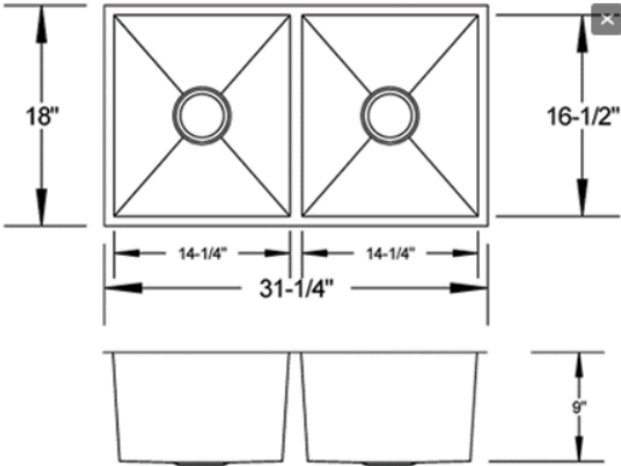


LB-1100



- 16 Gauge Under Mount
- State-Of-The-Art Forming & Finishing Techniques
- High Quality AISI304 18/10 Cr-Ni Stainless Steel
- High Luster Satin Finish
- Full Undercoat Sound Shield With Bottom & Side Pads
- Limited Lifetime Warranty



LB-1100 - stainless sink measurement

Available Accessories

